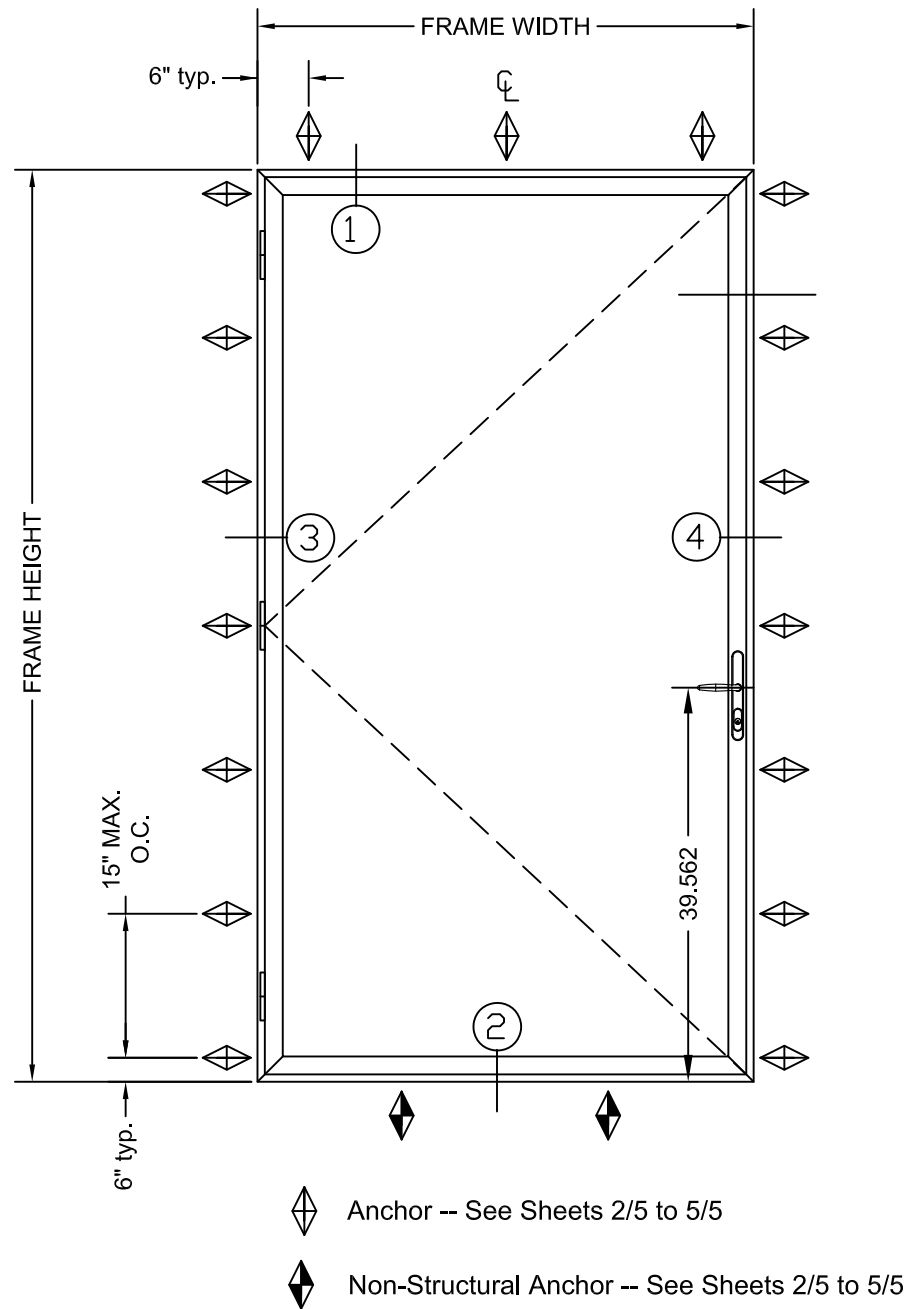


M600 Inswing Terrace Door



Mark A
Standard Sill

NOTES:

1. Installations depicted satisfy the requirements of the Florida Building Code, Building 8th; Edition (2023) for design wind pressures and overall sizes noted.
2. Wood bucks, wood framing, steel stud framing, concrete and concrete masonry are by others and shall be designed by the architect or engineer of record to resist the loads imparted to them.
3. Wood bucks and wood framing are assumed SYP (G=0.55) or denser. Buck width shall be greater than the door frame width. Tapered or partial width buck strips are not allowed.
4. Steel stud frames are assumed to be a minimum 18 gauge 33 KSI steel.
5. Concrete masonry (CMU) shall conform to ASTM C90
6. Concrete shall be minimum $f'c = 3,000$ psi
7. Wood screws shall meet requirements of ANSI/ASME B18.6.1.
8. TEKS screws shall be ASTM A510 Grade 1018 or equivalent.
9. Hilti Kwik-Con + anchors as specified in NOA 21-0628.20.
10. Maximum shim thickness 1/4".
11. Products are not impact resistant and require an approved protection device if used in windborne debris regions.
12. Not for use in High Velocity Hurricane Zone (HVHZ).

Maximum Dimensions and Design Pressure				
FRAME	FH	DOOR-W	DOOR-H	Pressure
48"	96"	46 1/16"	94 1/16"	± 50 PSF
DAYLIGHT OPENING		38 1/16"	86 1/16"	

Minimum Glazing
1" Insulating Glass
EXT - 3/16" Tempered Glass
INT - 3/16" Tempered Glass

CONTENTS

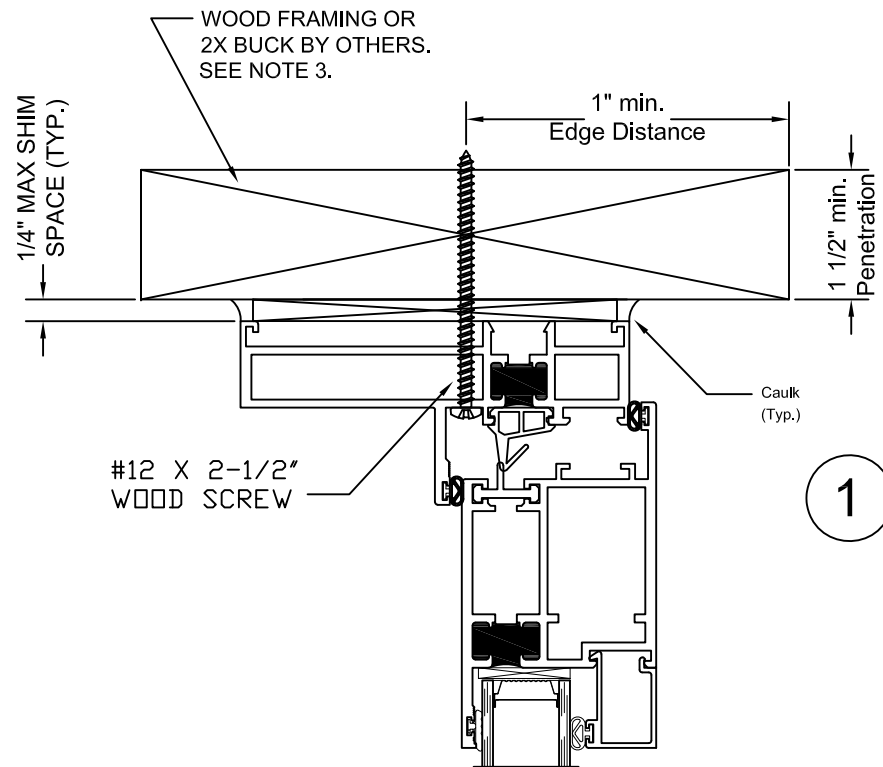
Sheet 1/5 Elevations and Notes
Sheets 2/5 - 5/5 Installation Details

Tanya A. Dolby, P.E.
FL P.E. No. 93536
Intertek – ATI
130 Derry Ct. York, PA 17406
(717) 764-7700
Project: Q7220.01

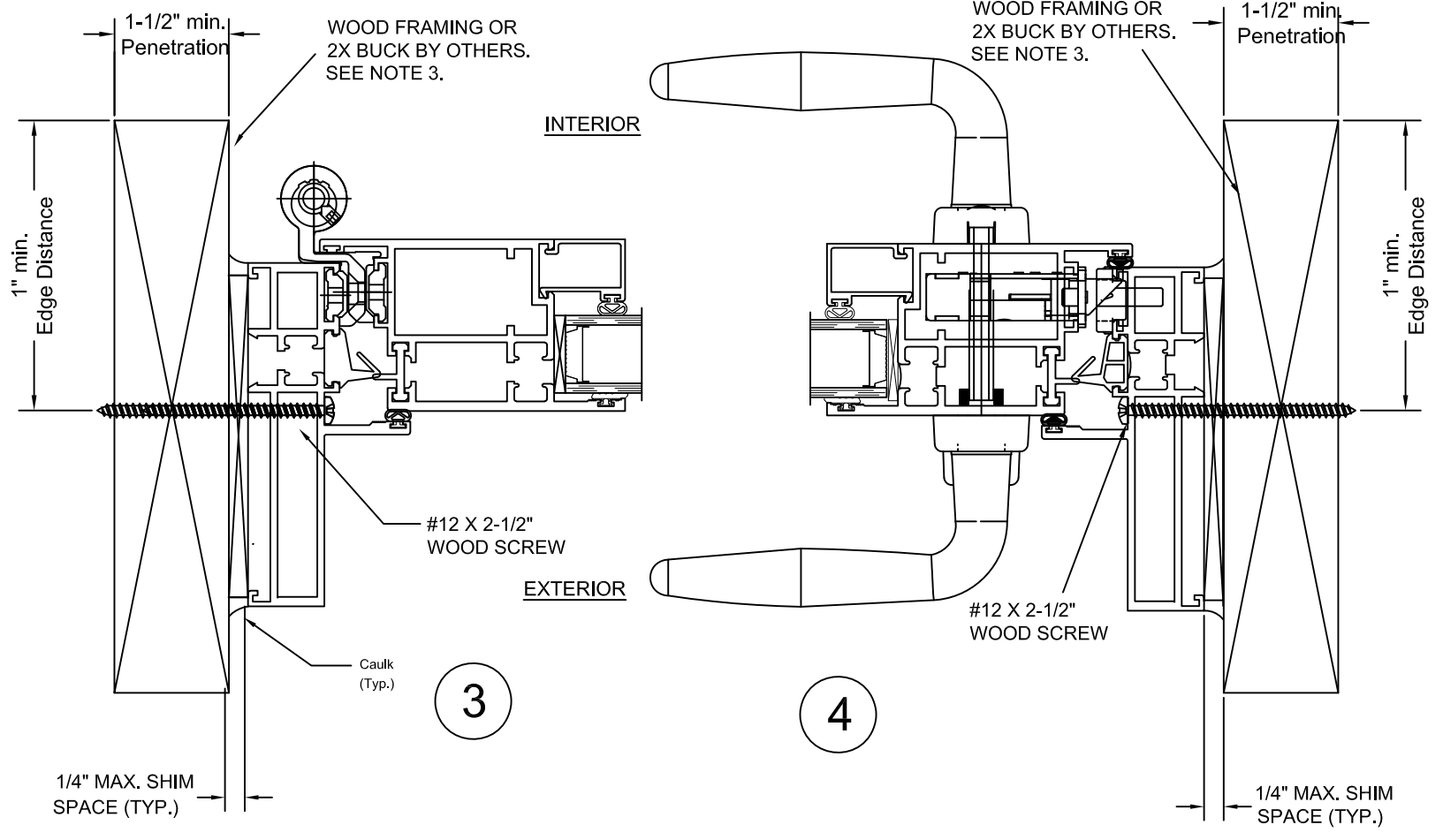
Project Name: **M600 IS TERRACE DOOR**

INSTALLATION INSTRUCTIONS

Description:		ELEVATIONS AND NOTES	
QUAKER WINDOW PRODUCTS WILL NOT BE RESPONSIBLE FOR FIELD MEASUREMENT, QUANTITIES, & INSTALLATION DESIGN. CONTRACTOR MUST VERIFY ALL DIMENSIONS.	Revision #: Date:	Revision #: Date:	Revision #: Date:
PHONE (573)-744-5211 FAX (573)-744-5586 COMMERCIAL FAX (573)-744-5822 www.quakerwindows.com	Scale: NONE	Sheet # 1 of 5	504 Highway 63 South Freeburg, MO 65035 drafting@quakerwindows.com
QUAKER COMMERCIAL WINDOW AND DOOR	Drawn By: BUD	Date: 11-13-2023	Project: Q7220.01



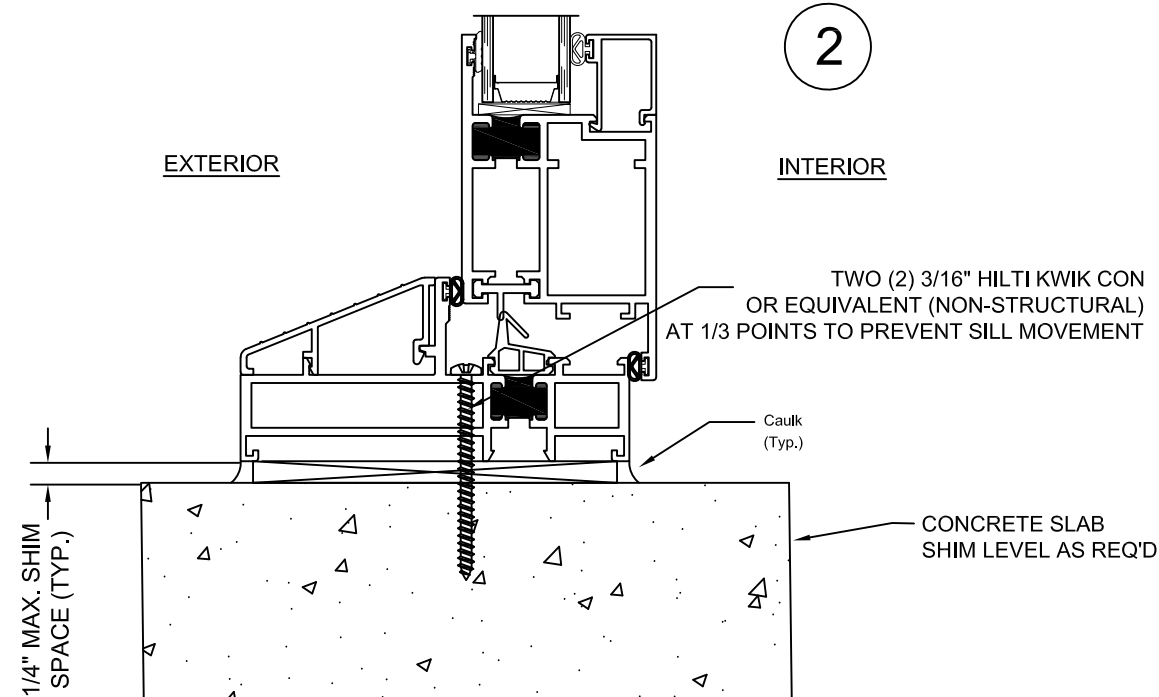
1



3

4

HORIZONTAL SECTION DETAIL
WOOD FRAMING ON CONCRETE SLAB



2

VERTICAL SECTION DETAIL
WOOD FRAMING ON CONCRETE SLAB

Tanya A. Dolby, P.E.
FL P.E. No. 93536
Intertek - ATI
130 Derry Ct. York, PA 17406
(717) 764-7700
Project: Q7220.01

Project Name: **M600 IS TERRACE DOOR**

Installation Details

By:	Date:	Revision #:
By:	Date:	Revision #:
By:	Date:	Revision #:

QUAKER WINDOW PRODUCTS WILL NOT BE RESPONSIBLE FOR FIELD MEASUREMENT, QUANTITIES, & INSTALLATION DESIGN. CONTRACTOR MUST VERIFY ALL DIMENSIONS.

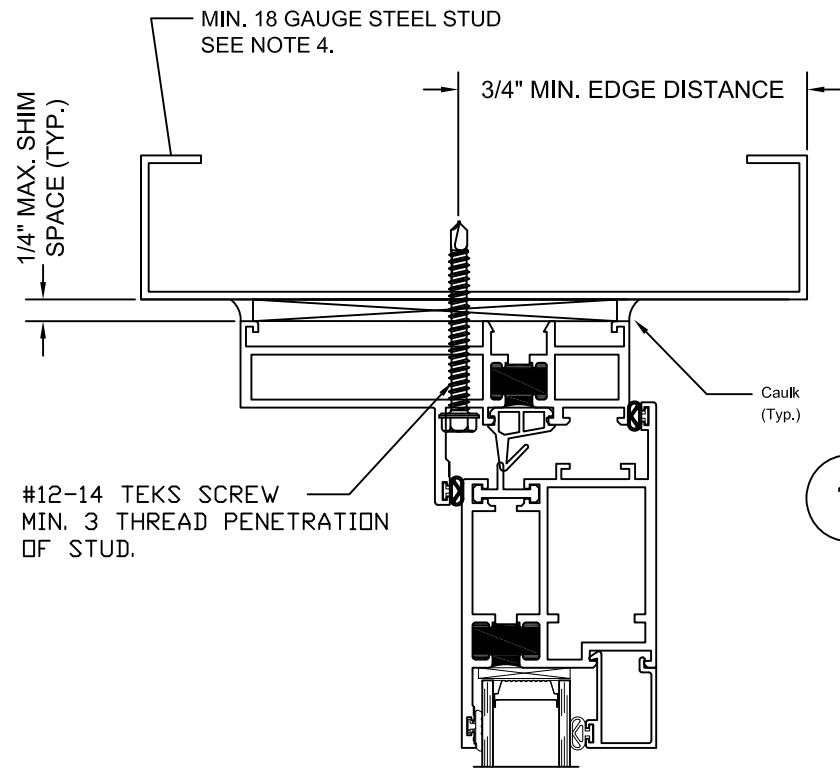
PHONE (573)-744-5211
FAX (573)-744-5586
COMMERCIAL
FAX (573)-744-5822
www.quakerwindows.com

Scale: NONE
Sheet #: 2 of 5

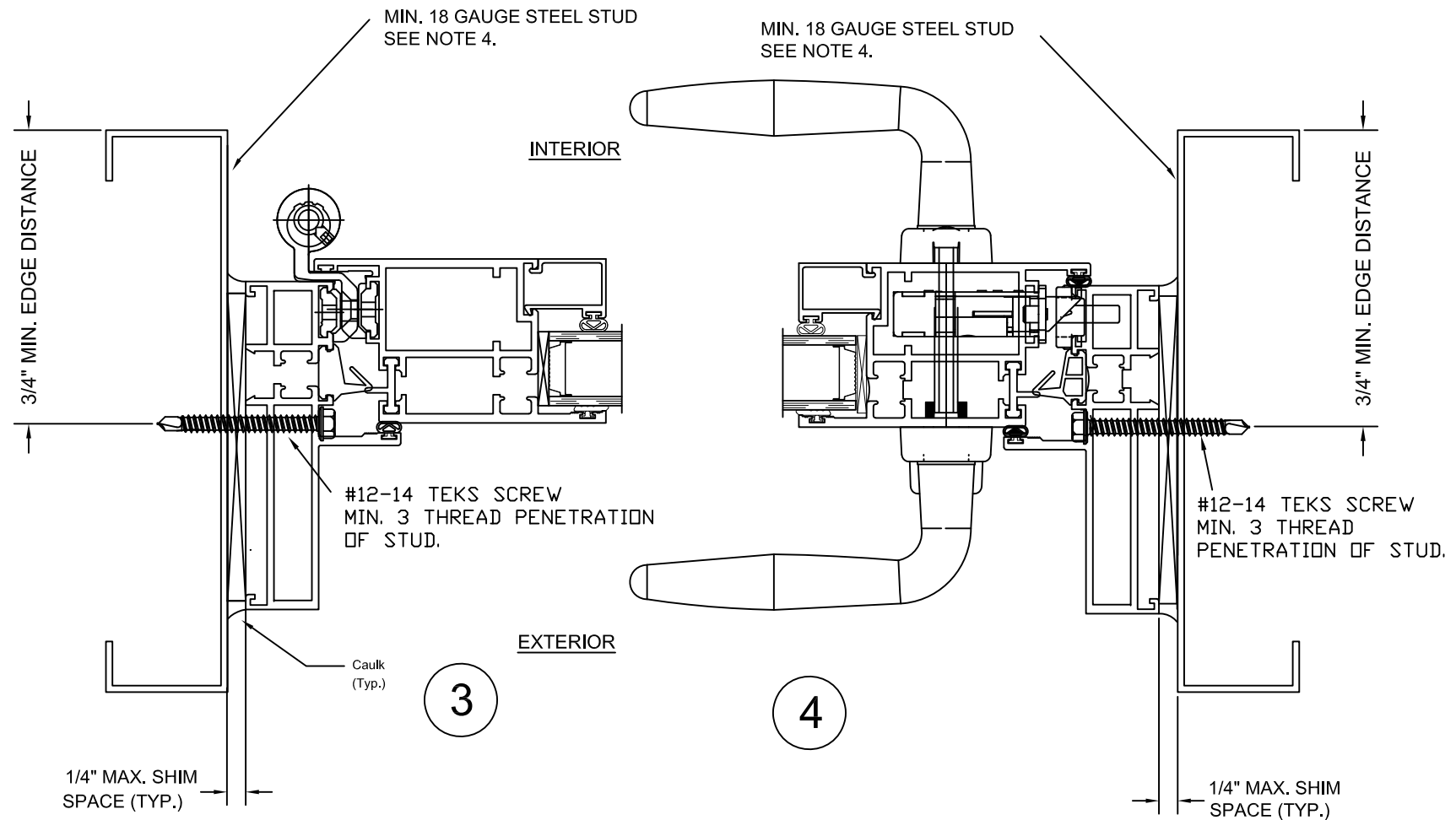
504 Highway 63 South
Freeburg, MO 65035
drafting@quakerwindows.com

Drawn By: BUD
Date: 11-13-2023

QUAKER
COMMERCIAL WINDOW AND DOOR



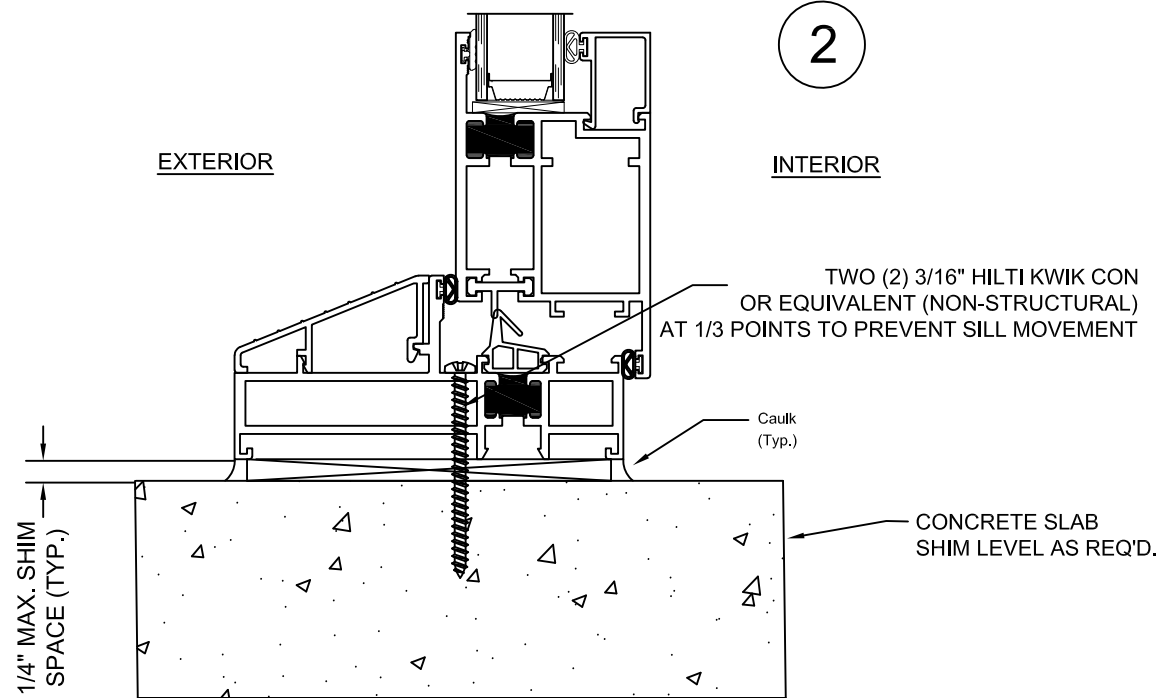
1



3

4

HORIZONTAL SECTION DETAIL
STEEL FRAMING ON CONCRETE SLAB



2

VERTICAL SECTION DETAIL
STEEL FRAMING ON CONCRETE SLAB

Tanya A. Dolby, P.E.
FL P.E. No. 93536
Intertek - ATI
130 Derry Ct. York, PA 17406
(717) 764-7700
Project: Q7220.01

Project Name: **M600 IS TERRACE DOOR**

Installation Details

By:	Date:	Revision #:
By:	Date:	Revision #:
By:	Date:	Revision #:

QUAKER WINDOW PRODUCTS
WILL NOT BE RESPONSIBLE
FOR FIELD MEASUREMENT,
QUANTITIES, & INSTALLATION
DESIGN. CONTRACTOR MUST
VERIFY ALL DIMENSIONS.

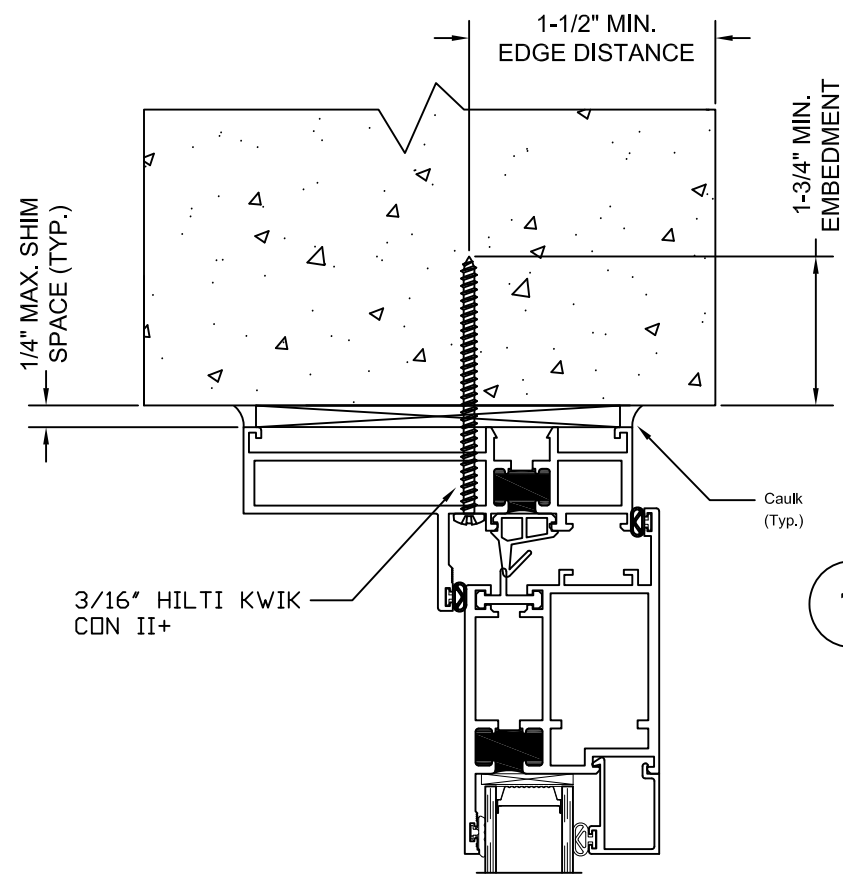
PHONE (573)-744-5211
FAX (573)-744-5586
COMMERCIAL
FAX (573)-744-5822
www.quakerwindows.com

Scale: NONE
Sheet #: 3 of 5

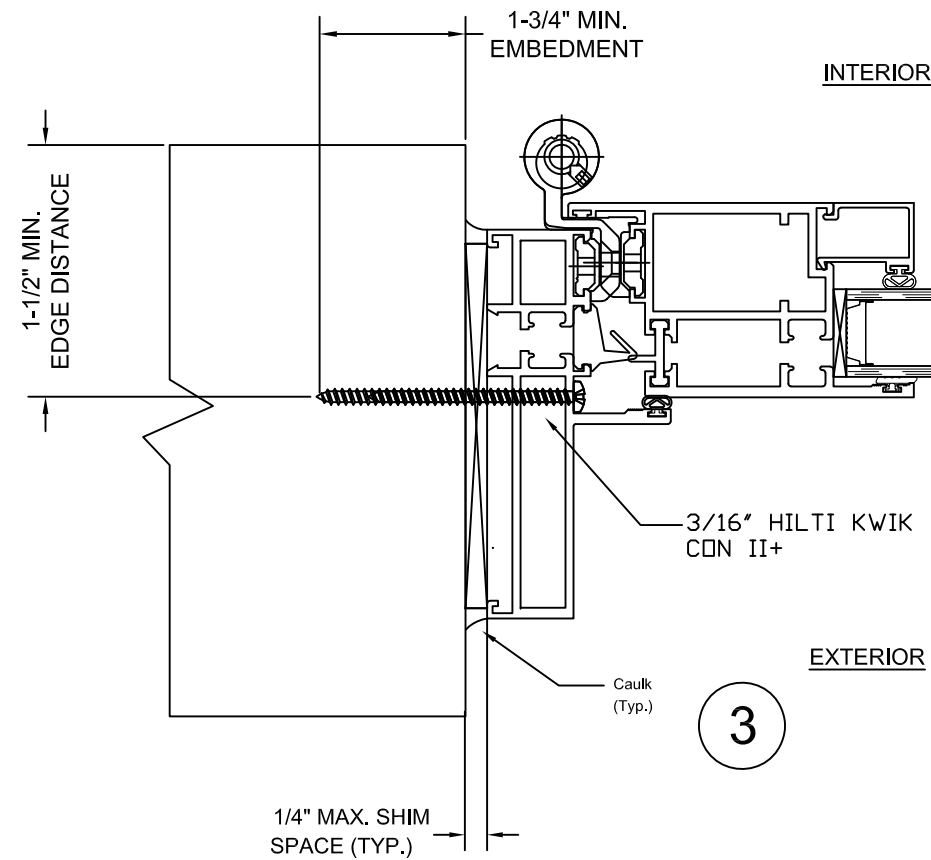
504 Highway 63 South
Freeburg, MO 65035
drafting@quakerwindows.com

Drawn By: BUD
Date: 11-13-2023

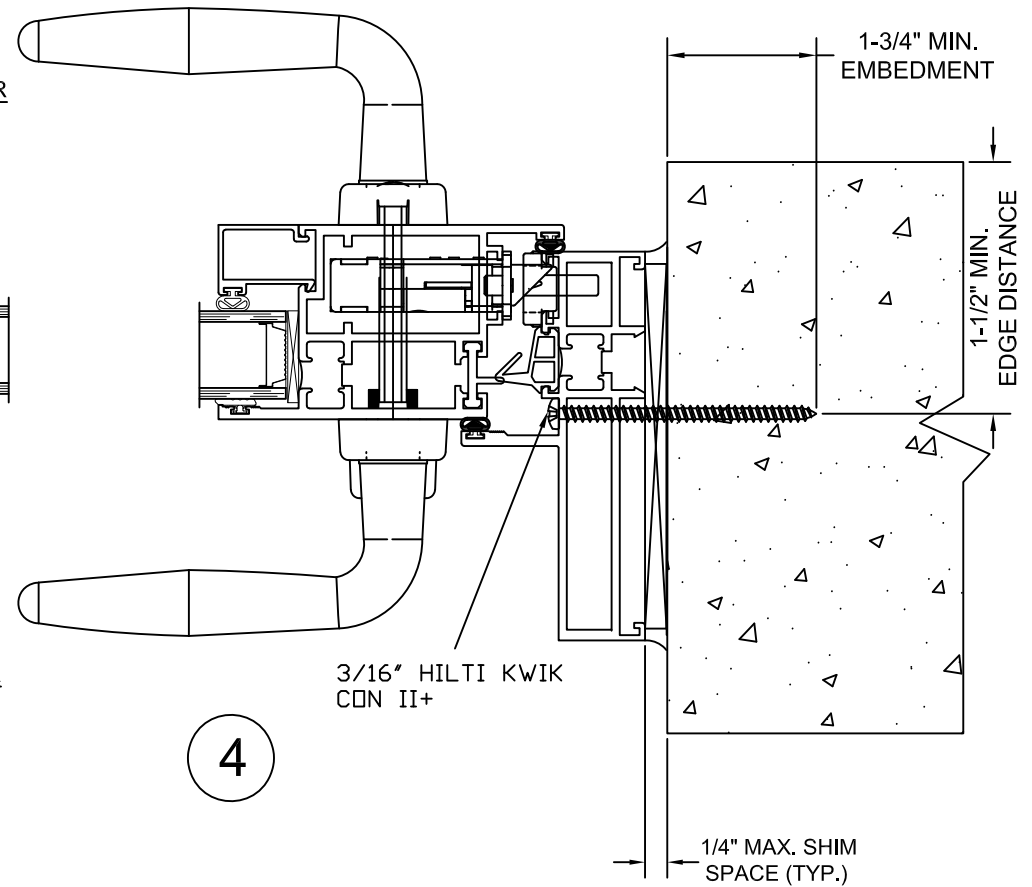




1

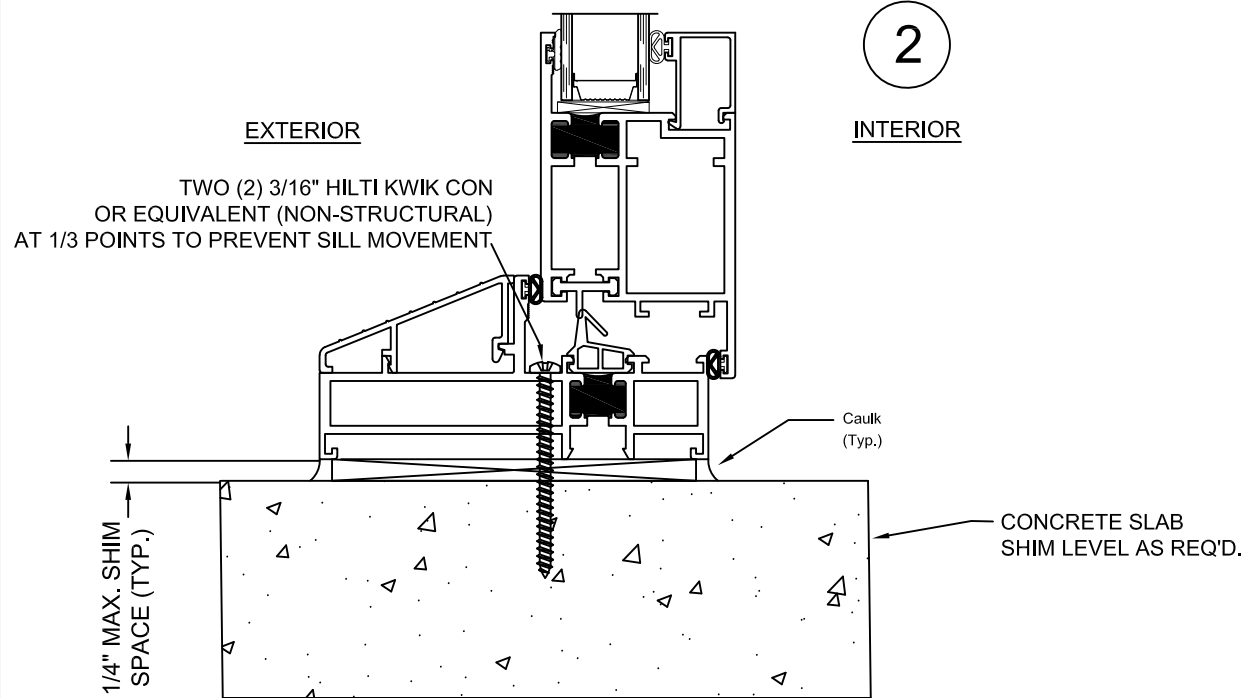


3



4

HORIZONTAL SECTION DETAIL
CONCRETE FRAMING ON CONCRETE SLAB



2

VERTICAL SECTION DETAIL
CONCRETE FRAMING ON CONCRETE SLAB

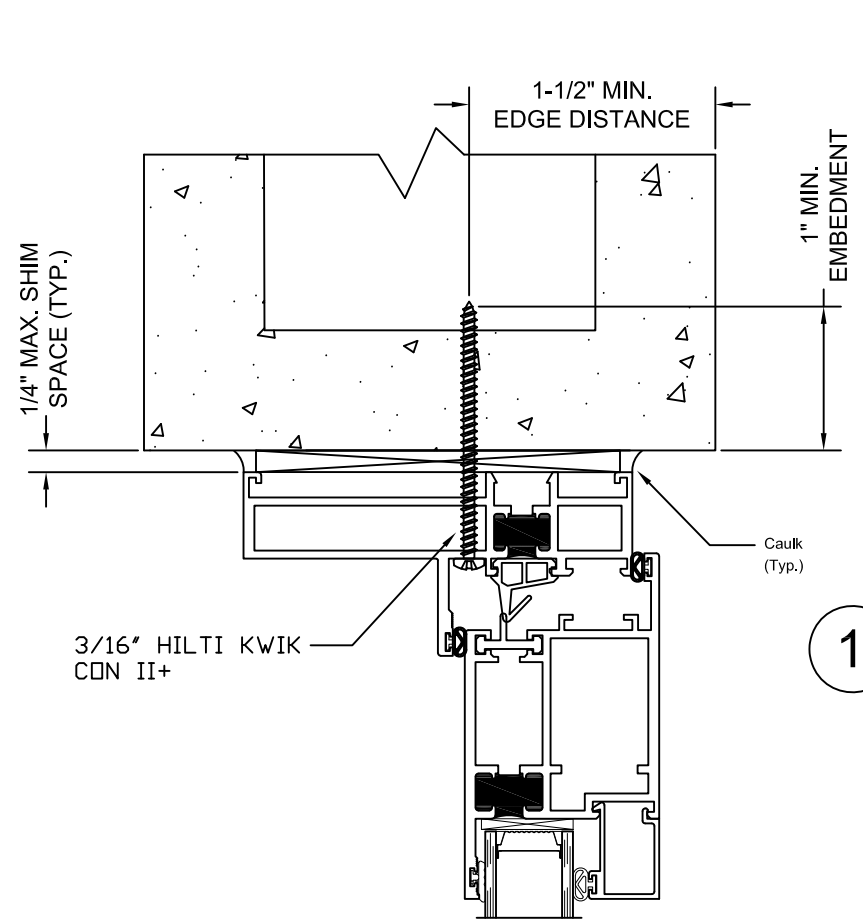
Tanya A. Dolby, P.E.
FL P.E. No. 93536
Intertek – ATI
130 Derry Ct. York, PA 17406
(717) 764-7700
Project: Q7220.01

Project Name: **M600 IS TERRACE DOOR**
INSTALLATION INSTRUCTIONS

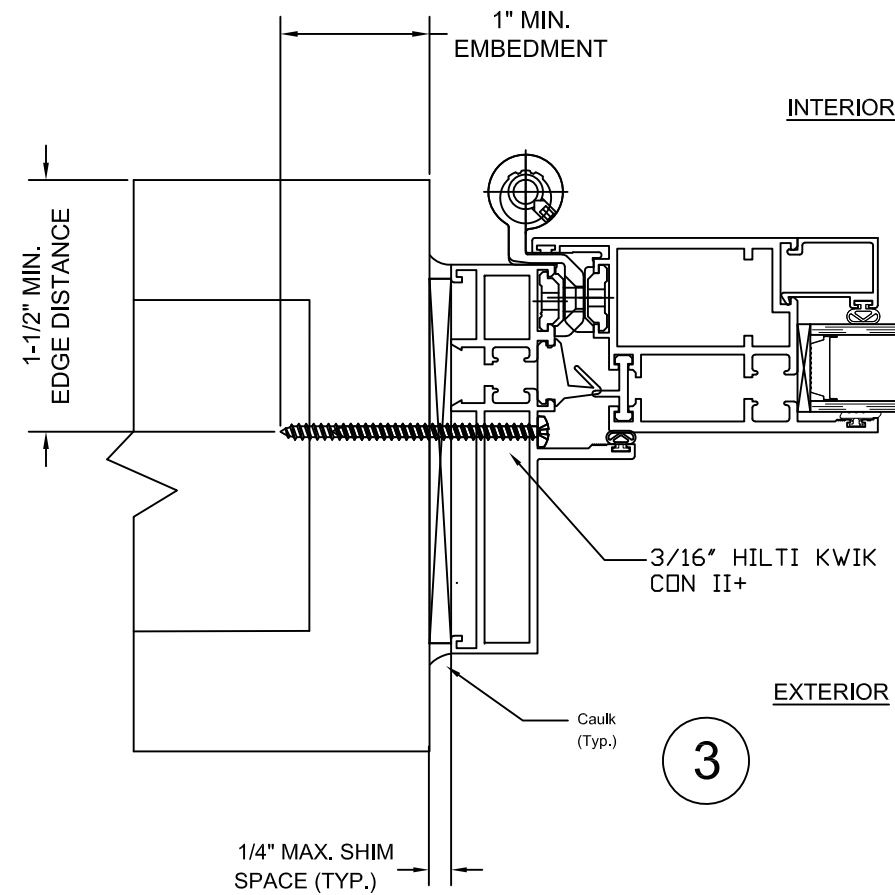
INSTALLATION DETAILS

PHONE (573)-744-5211	By:	By:	By:
FAX (573)-744-5586	Date:	Date:	Date:
COMMERCIAL	Revision #:	Revision #:	Revision #:
FAX (573)-744-5822	Revision #:	Revision #:	Revision #:
www.quakerwindows.com	Scale:	Scale:	Scale:
Scale: NONE	Sheet #:	Sheet #:	Sheet #:
504 Highway 63 South	Drawn By: BUD	Drawn By: BUD	Drawn By: BUD
Freeburg, MO 65035	Date: 11-13-2023	Date: 11-13-2023	Date: 11-13-2023
drafting@quakerwindows.com			

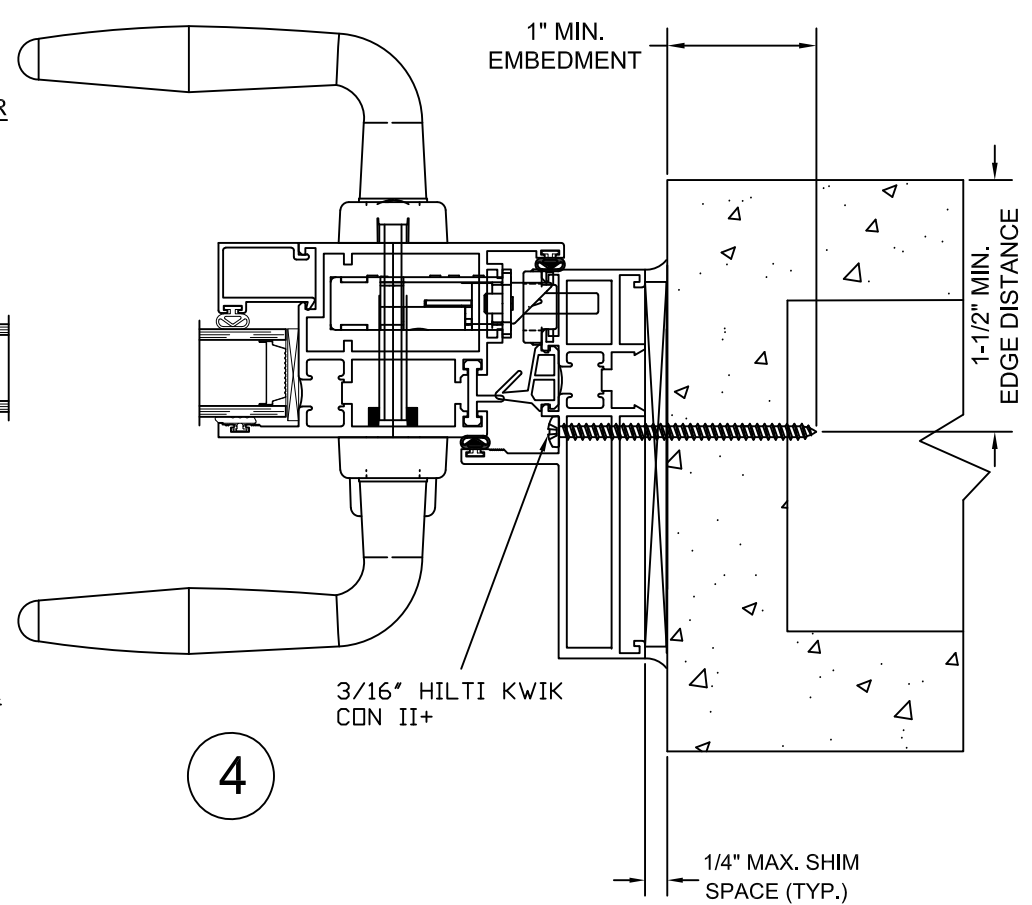
DESCRIPTION: **INSTALLATION DETAILS**
QUAKER WINDOW PRODUCTS WILL NOT BE RESPONSIBLE FOR FIELD MEASUREMENT, QUANTITIES, & INSTALLATION DESIGN. CONTRACTOR MUST VERIFY ALL DIMENSIONS.



1

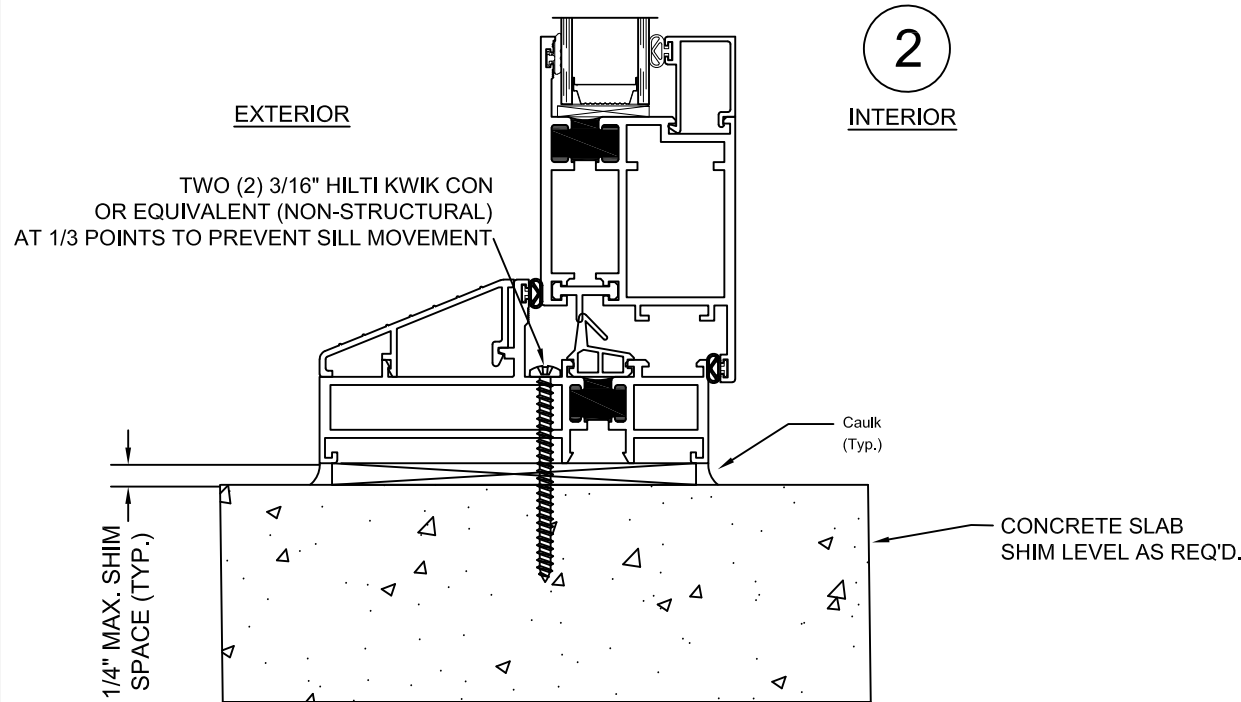


3



4

HORIZONTAL SECTION DETAIL
CMU FRAMING ON CONCRETE SLAB



2

VERTICAL SECTION DETAIL
CMU FRAMING ON CONCRETE SLAB

Tanya A. Dolby, P.E.
FL P.E. No. 93536
Intertek – ATI
130 Derry Ct. York, PA 17406
(717) 764-7700
Project: Q7220.01

Project Name: **M600 IS TERRACE DOOR**

INSTALLATION DETAILS

DESCRIPTION: QUAKER WINDOW PRODUCTS WILL NOT BE RESPONSIBLE FOR FIELD MEASUREMENT, QUANTITIES, & INSTALLATION DESIGN. CONTRACTOR MUST VERIFY ALL DIMENSIONS.

By:	Date:	Revision #:
By:	Date:	Revision #:
By:	Date:	Revision #:

PHONE (573)-744-5211
FAX (573)-744-5586
COMMERCIAL
www.quakerwindows.com
Scale: NONE
Sheet #: 5 of 5

504 Highway 63 South
Freeburg, MO 65035
drafting@quakerwindows.com

Drawn By: **BUD**
Date: **11-13-2023**

QUAKER
COMMERCIAL WINDOW AND DOOR